

GlobeHeat Datasheet : Product Code GHT 9168



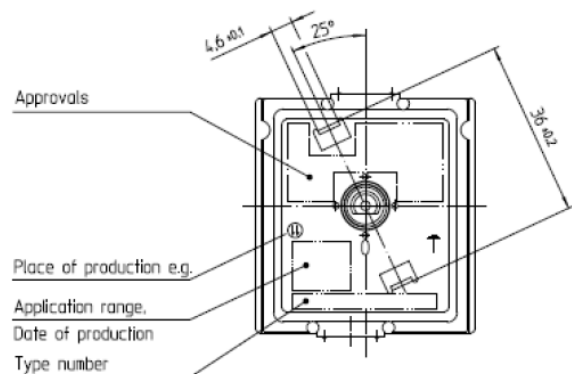
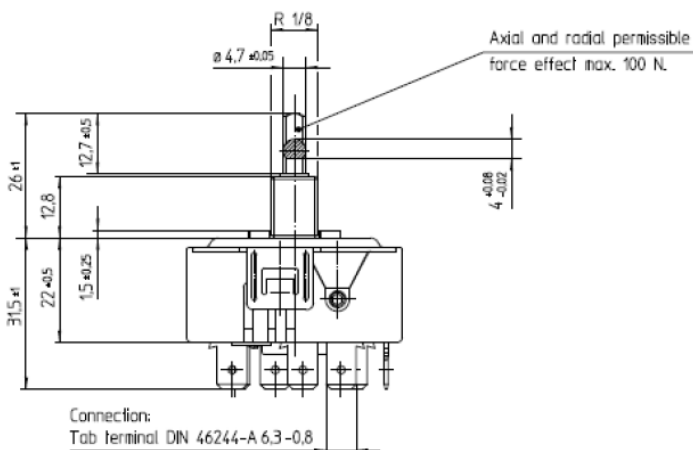
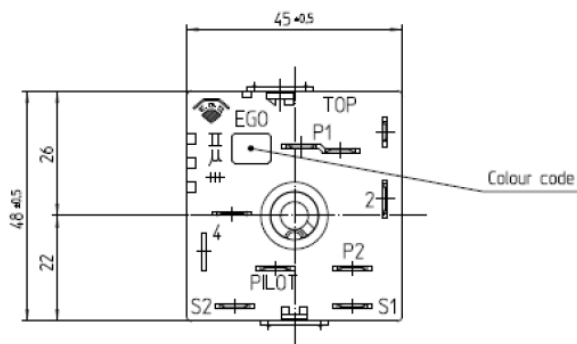
Product Description: Energy Regulator, 240V

Applications

Replacement energy regulator for use in all heat treatment units with 240V control circuits.



Schematics



Specification	
Maximum ambient temperature	125°C
VDE Tracking Index:	KC 250
Operating Range:	75° to 285° (clockwise gradient)
Voltage	240V a.c.
Current	13A

